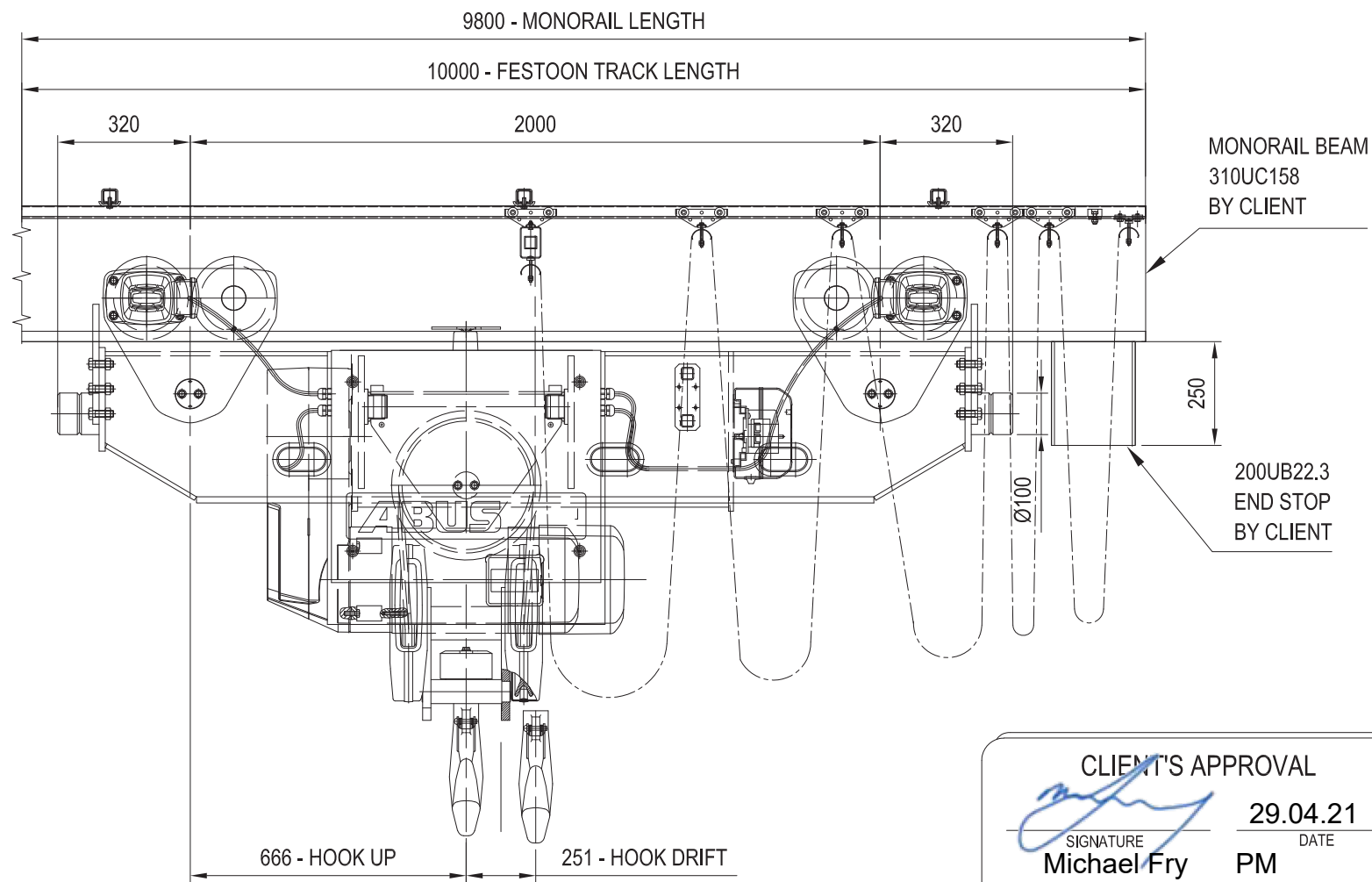


IF IN DOUBT PLEASE ASK

FILE LOCATION - J:\2006-NSW\28831-Downer (10t x 23m ELK+WRH)5\_Engineering & Design\5.1 Mech & Structural Design\5.1.1 CAD\CAD 2D\28831-DMS-100 (10T+WRH x 12.5M H.O.L.)\_dwg

28831 -DMS- 200 | REV A

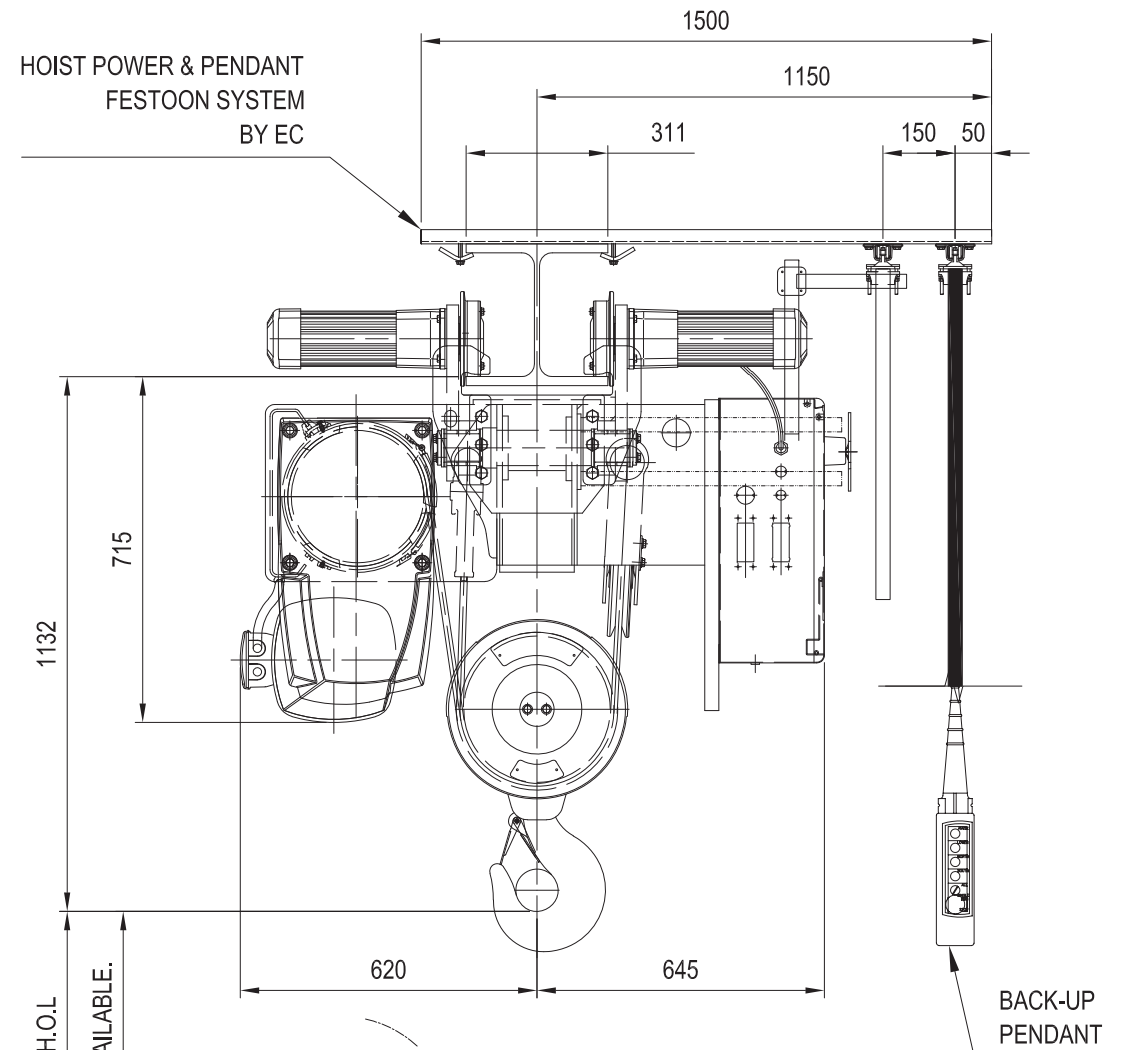
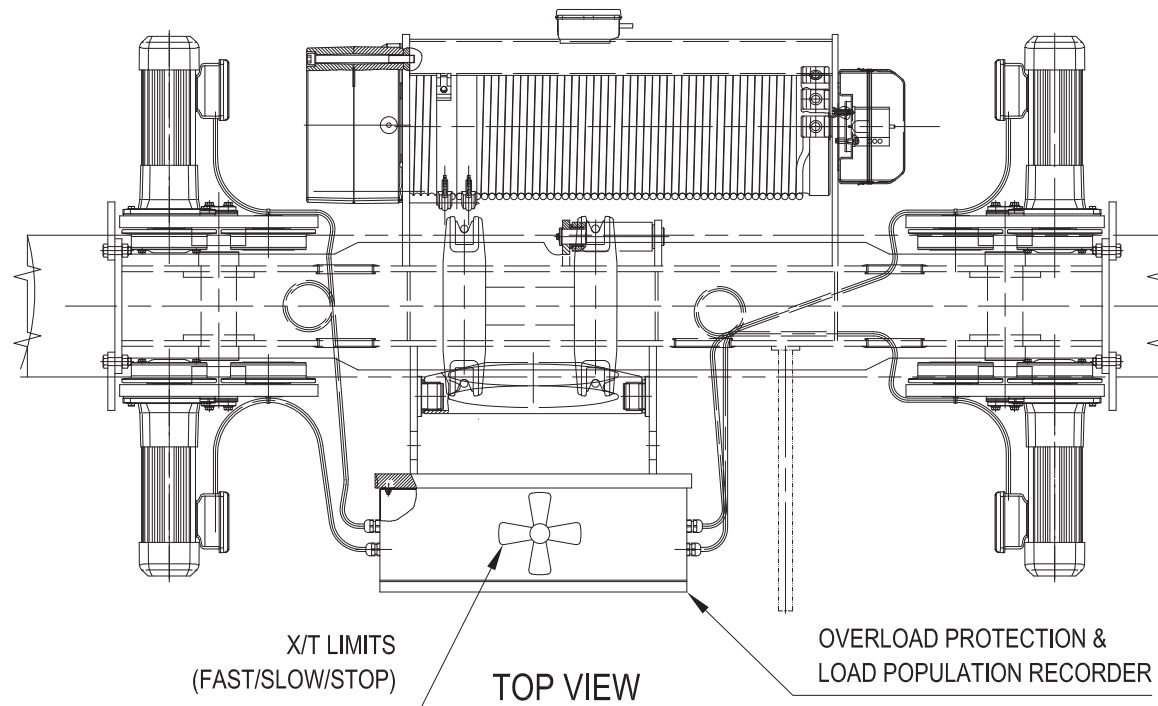


ELEVATION

**CLIENT'S APPROVAL**

SIGNATURE 29.04.21  
 DATE  
**Michael Fry** PM  
 POSITION  
NAME IN BLOCK LETTERS

- NOTE:
- MONORAIL TO BE INSTALLED AS PER AS 1418.1-2002 FOR LEVEL & ALIGNMENT REQUIREMENTS.
  - LOCATION OF MAIN ISOLATOR AND ORIENTATION OF L/T CATENARY TO BE CONFIRMED BY "CLIENT".



SIDE VIEW

ABUREMOTE WITH LOAD DISPLAY  
FREQ. FREE TO AIR

MAIN ISOLATOR & RISING CABLE  
BY CLIENT

WHEEL LOADING	
VERTICAL	LATERAL (ACROSS RAIL)
- MIN STATIC : 2 kN	- INERTIA (P hb21) : 2 kN
- MAX STATIC : 18 kN	- SKEWING (Y 21) : 6 kN
- MAX DYNAMIC : 20.2 kN	LONGITUDINAL (ALONG RAIL)
	- INERTIA : 2 kN
	- BUFFER FORCE : 19 kN

**TECHNICAL DATA**

CRANE CAPACITY : 10000 kg	HOIST CLASS : M6 to AS1418
HOIST MANUFACTURER : ABUS	SUPPLY VOLTAGE : 415V/3Ph./50Hz.
HOIST MODEL : GM 5000.10000.L-253.41.15000.3.U	CONTROL VOLTAGE : 48V AC
LIFTING SPEED : 1/6.3 m/min	HOIST MASS : 1197 kg
CRAB SPEED : 5/20 m/min	LOCATION : INDOOR
MAX. POWER DEMAND : 13 kW	EC SERIAL No. : 22261
PAINT (PROP. ITEMS) : ABUS SYSTEM C2	ABUS O/C No. : AV 36019030

REV	DATE	REVISION DESCRIPTION	DRN	CHK	APP
A	27.04/21	ISSUED FOR APPROVAL	RK	DL	DL

DESIGN REFERENCES

STRUCTURAL REF	.....
STRUCTURAL BY	.....
REGO BODY	.....
MECHANICAL	ABUS
ELECTRICAL	ABUS

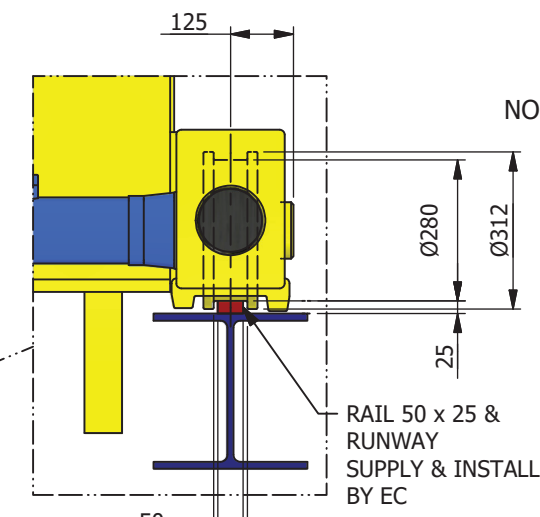
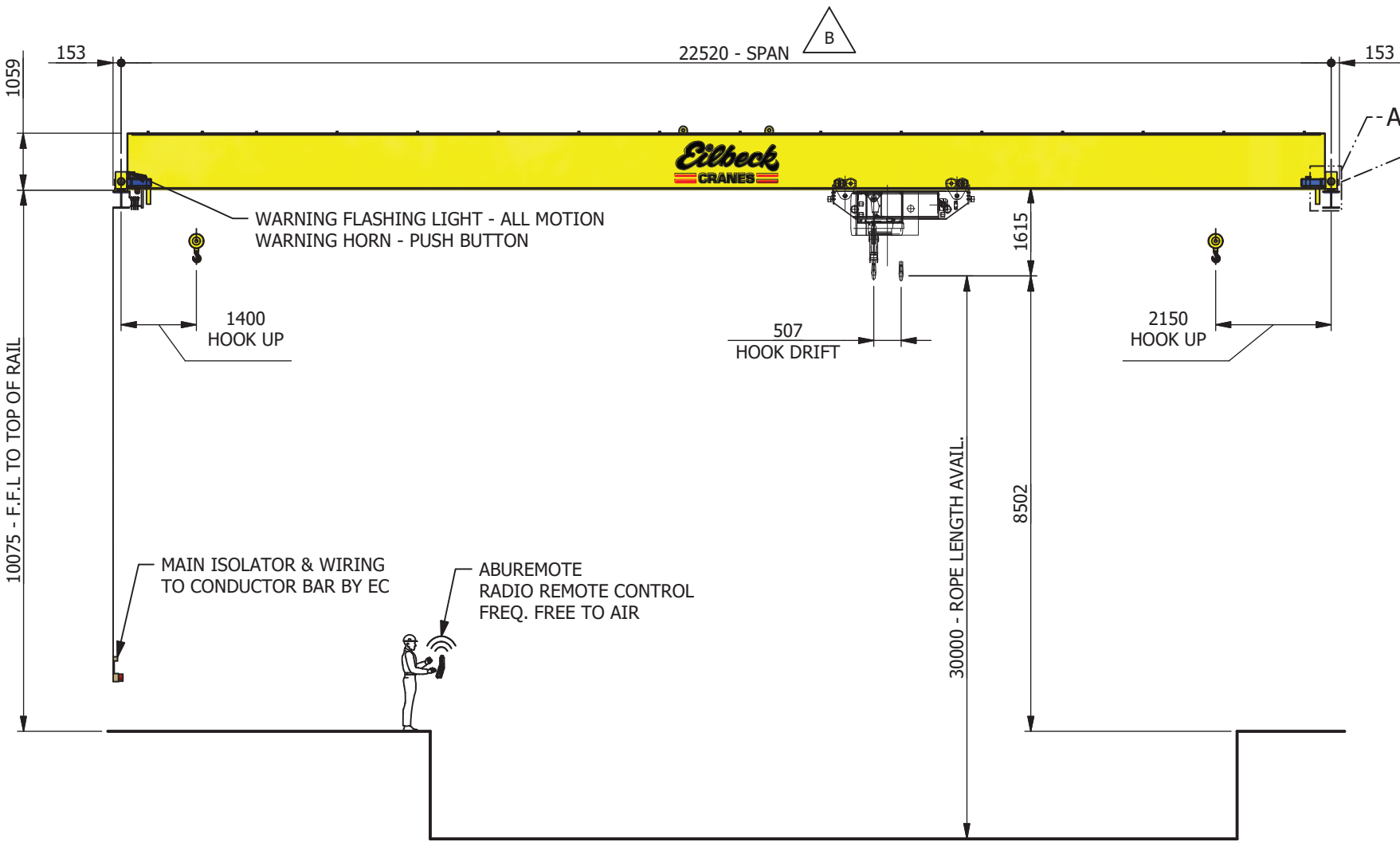
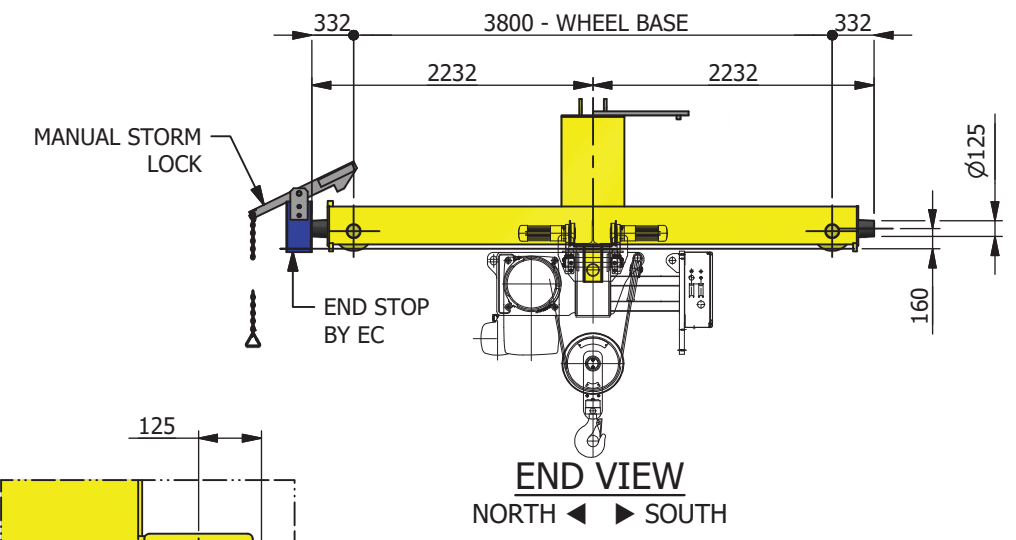
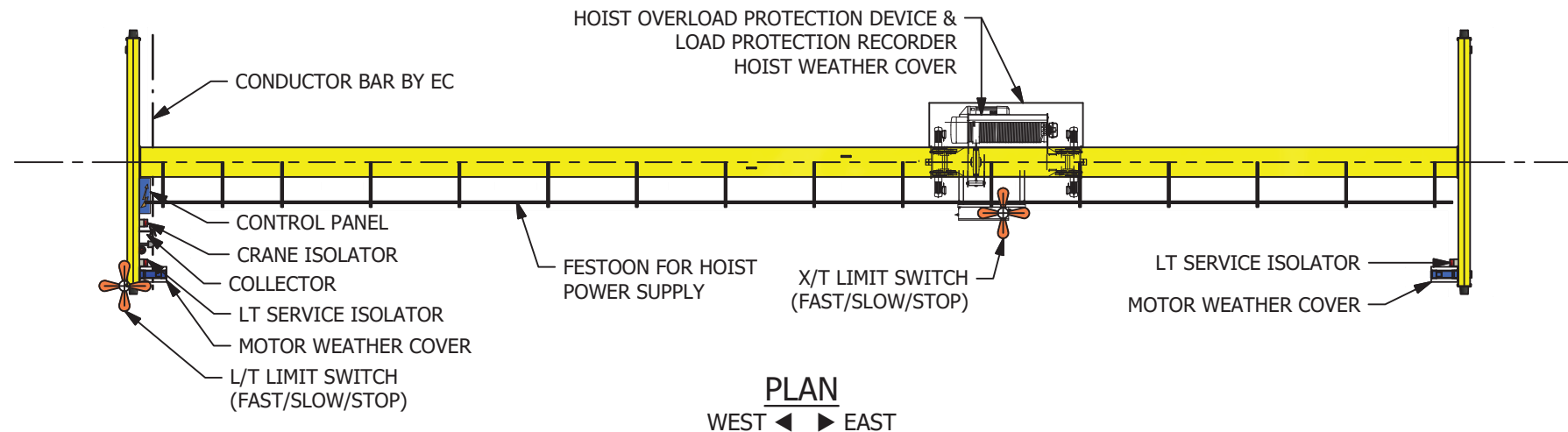
APPROVAL FOR CONSTRUCTION

CHECKED	DL
APPROVED	DL
DATE	.....
SIGNED	Dion Liebenberg 2021.04.28 17:36:12 +10'00'

CLIENT	DOWNER EDI WORKS PTY LTD
PROJECT	MASCOT
EQ. ID	HT10

Copyright by Eilbeck Cranes www.eilbeckcranes.com

DWG TITLE	
10T MRC x 9.8M MONORAIL LENGTH ASSEMBLY AND ARRANGEMENT DRAWING GENERAL ARRANGMENT	
SCALE	SIZE
NTS	A3
UNITS	mm
DWG NO	REV
28831 -DMS- 200	A

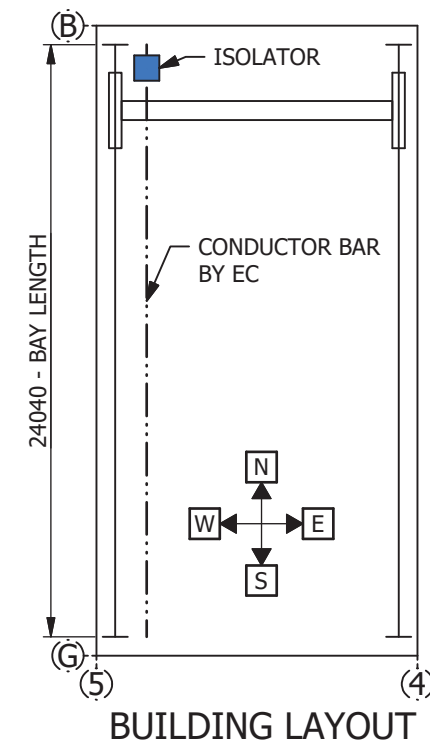


**CLIENT'S APPROVAL**  
 SIGNATURE: *[Signature]* DATE: 11/06/2021  
 NAME IN BLOCK LETTERS: MICHAEL FRY POSITION: P.M.

- NOTE:**
- CRANE RAILS & RUNWAYS TO BE INSTALLED AS PER AS: 1418-2002 FOR LEVEL & ALIGNMENT REQUIREMENTS.
  - LOCATION OF MAIN ISOLATOR AND ORIENTATION OF CONDUCTOR BARS TO BE CONFIRMED BY CLIENT.

**TECHNICAL DATA**

CRANE CAPACITY	: 10000 kg
HOIST MANUFACTURER	: ABUS
HOIST MODEL	: GM 7000.10000 H-253.21.30000.1.U
LIFTING SPEED	: 2/12.5 m/min
CRAB SPEED	: 5/20 m/min
CRANE SPEED	: 7.5/30 m/min
MAX. POWER DEMAND	: 30 kW
PAINT (CRANE)	: EC'S SYSTEM Y14 - GOLDEN YELLOW
PAINT (PROP. ITEMS)	: ABUS SYSTEM C2 - TRAFFIC BLUE
CRANE CLASS	: C4 to AS1418
HOIST CLASS	: M6 to AS1418
SUPPLY VOLTAGE	: 415V/3Ph./50Hz.
CONTROL VOLTAGE	: 48V AC
CRANE MASS	: 6787 kg
HOIST MASS	: 2452 kg
TOTAL MASS	: 9239 kg
LOCATION	: OUTDOOR
EC's SR. NO.	: 22260
ABUS O/C NUMBER	: FV 36018977



**WHEEL LOADING**

VERTICAL		LATERAL (ACROSS RAIL)	
MIN STATIC	:18 kN	INERTIA (PHB21)	:4.5 kN
MAX STATIC	:74 kN	SKEWING (Y21)	:11.5 kN
MAX DYNAMIC	:83 kN	LONGITUDINAL (ALONG RAIL)	
		INERTIA	:11 kN
		BUFFER FORCE	:15 kN

**ELEVATION**  
WEST ◀ ▶ EAST

DESIGN REFERENCES		APPROVAL FOR CONSTRUCTION	
STRUCTURAL REF	ECE-28831-EDC-100	CHECKED	DL
STRUCTURAL BY	AT	APPROVED	DL
REGO BODY		DATE	
MECHANICAL	ABUS	SIGNED	<i>[Signature]</i>
ELECTRICAL	ABUS		

CLIENT: **DOWNER EDI WORKS**  
 PROJECT: MASCOT  
 EQUIP. ID: CN100

**Eilbeck CRANES**  
 copyright by Eilbeck Cranes www.eilbeckcranes.com.au

DWG TITLE			
10 T x 22.52 M SPAN SINGLE GIRDER CRANE 'ELK' ARRANGEMENT AND ASSEMBLY DRAWING GENERAL ARRANGEMENT (1 / 1)			
REG. CODE	SIZE	UNITS	DWG NO
	A3	mm	28831-DMS-100
			REV
			B

REV	DATE	DESCRIPTION	DRN	CHK	APP
B	10/06/2021	ISSUED FOR APPROVAL	RK	DL	DL
A	29/03/2021	ISSUED FOR APPROVAL	RK	DL	DL